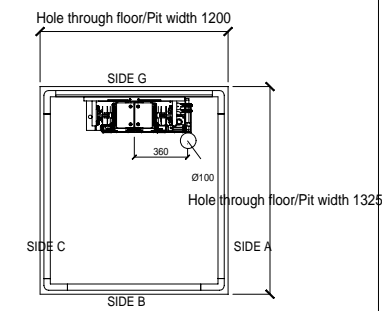
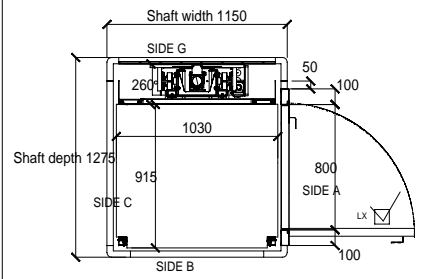


FLOORS "0/1"

Side A
 SX PANORAMIC door 800/2000
 frames 100/100
 MANUAL opening



| | | | |
|--|---|---|---|
| Approved Verified Described by Date REV. | GENERAL TOLERANCES For measurements without tolerance refer to: UNI - ISO 2768-mK | OVERALL * * * * | DESIGNED BY: CORUCCI DATE: 07/06/2010 VERIFY: * APPROV.: * |
| | Description 2002646 GUXL | MATERIAL * * * | DIS. N° * * * |
| | Description 2002646 GUXL | TREATMENT ✓ (✓) (✓) (✓) (✓) * * * | SCALE * * * |
| | Date: 07/06/2010 REV: 01 | SHEET NUMBER: 01 DIS. N°: * APPROV.: * | REV: 01 |